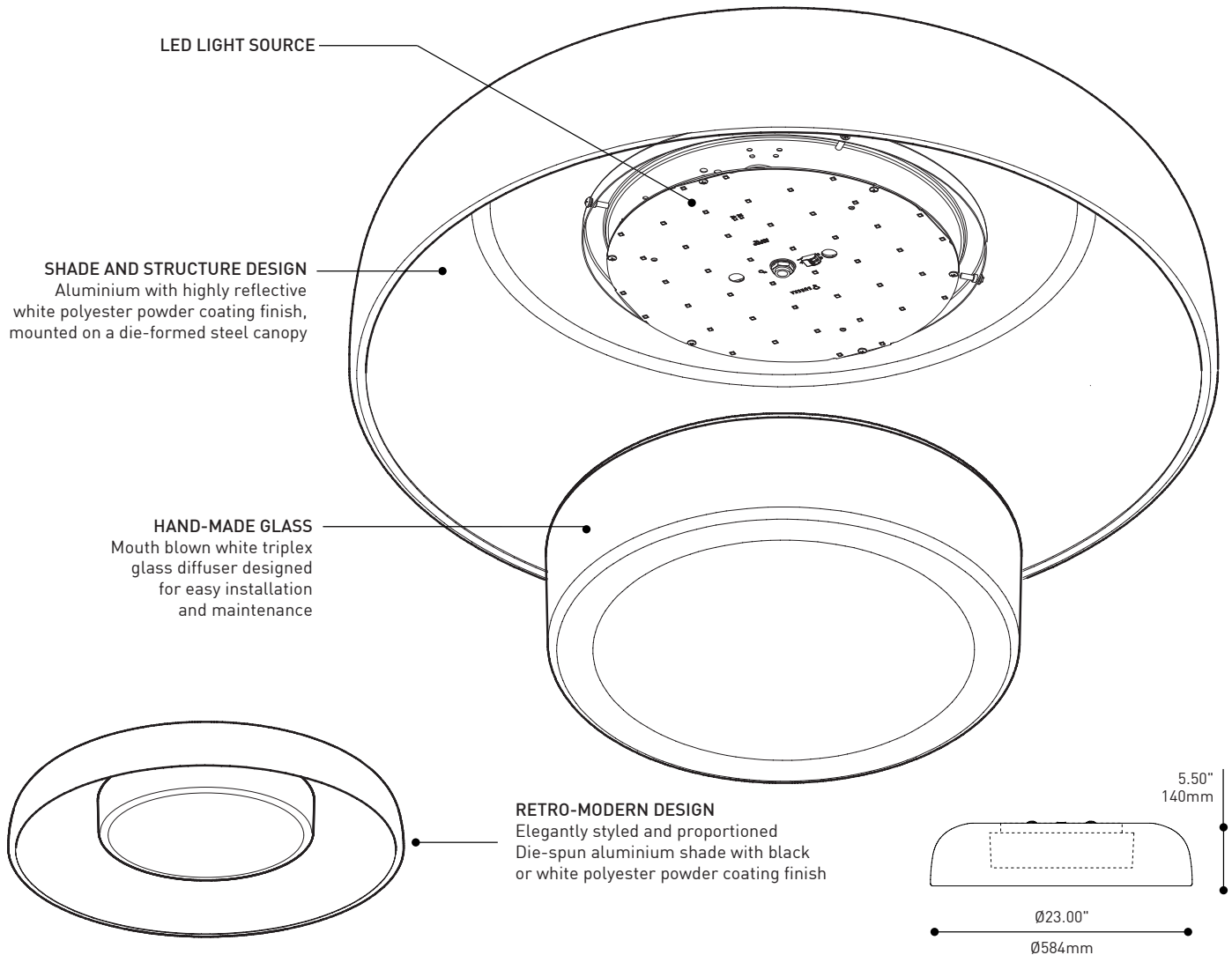






RETRO MODERN DESIGN PENDANT

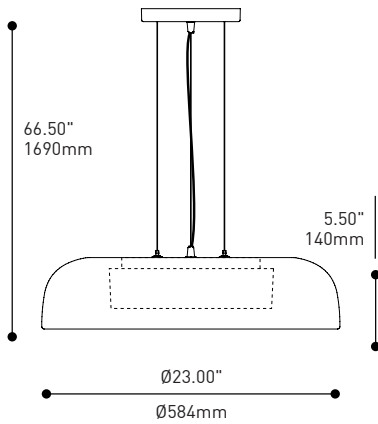
Hand-made glass diffuser nested in a spun aluminum shade, glare-free, direct light distribution



SPECIFICATIONS

4654B-WH | 4654B-BLK

LIGHT SOURCE	44 x Mid power LED on MCPCB
DELIVERED LUMENS	1268 lm 971 lm
SYSTEM WATTAGE	13.3W
CRI	80+ CRI or 90+ CRI
CCT	2700K, 3000K, 3500K or 4000K 3-step MacAdam ellipse binning
DRIVER / BALLAST	Hatch 16W CC 0-10V
DIMMING	DV 0-10V (120-277V) or DP PHASE DIMMING (120V)
VOLTAGE	120V or 277V
SHADE	Die-Formed Spun 14 gauge aluminum with black or white polyester powder-coated finish
STRUCTURE	18 Gauge die-formed steel with highly reflective white polyester powder-coated finish
DIFFUSER	Mouth blown white triplex glass
SUSPENSION	3 x stainless steel aircraft cable suspension with an easy-adjust / level grippers system and clear power cable
CERTIFICATION	c-CSA-us
WARRANTY	5 year warranty on LED fixtures

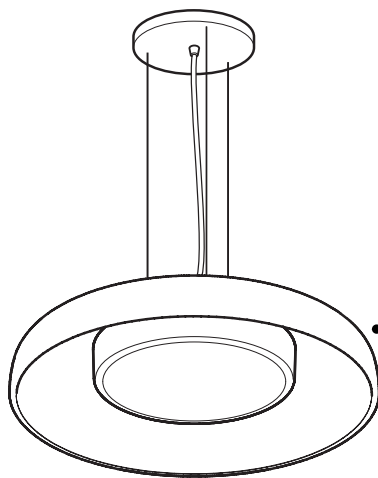
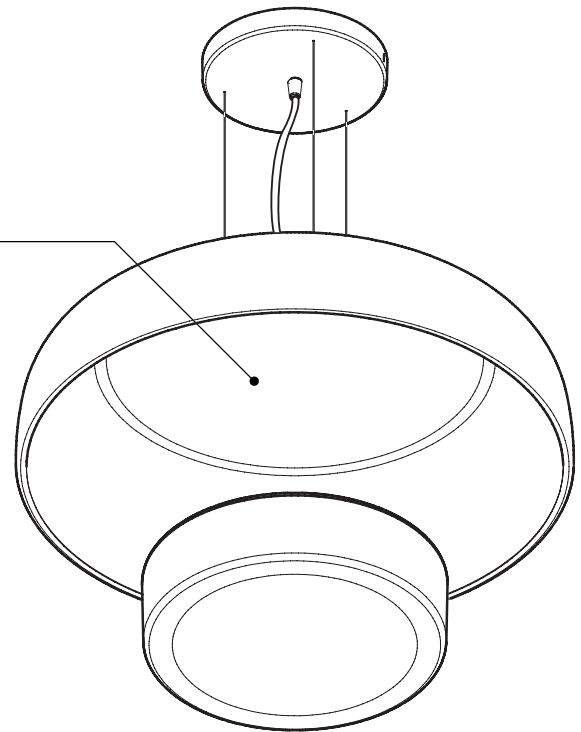


EASY TO INSTALL
Three aircraft cable mounting system for easy mounting and leveling

LED LIGHT SOURCE
Clever energy efficient and cost effective including dimming

REFLECTOR DESIGN
Die-formed steel canopy and fittings with highly reflective white polyester powder coating finish

HAND-MADE GLASS
Mouth blown white triplex glass diffuser designed for easy installation and maintenance



RETRO-MODERN DESIGN
Elegantly styled and proportioned
Die-spun aluminium shade with black or white polyester powder coating finish

SPECIFICATIONS

4454B-WH | 4454B-BLK

LIGHT SOURCE	44 x Mid power LED on MCPCB
DELIVERED LUMENS	1268 lm 971 lm
SYSTEM WATTAGE	13.3W
CRI	80+ CRI or 90+ CRI
CCT	2700K, 3000K, 3500K or 4000K 3-step MacAdam ellipse binning
DRIVER / BALLAST	Hatch 16W CC 0-10V
DIMMING	DV 0-10V (120-277V) or DP PHASE DIMMING (120V)
VOLTAGE	120V or 277V
SHADE	Die-Formed Spun 14 gauge aluminum with black or white polyester powder-coated finish
STRUCTURE	18 Gauge die-formed steel with highly reflective white polyester powder-coated finish
DIFFUSER	Mouth blown white triplex glass
SUSPENSION	3 x stainless steel aircraft cable suspension with an easy-adjust / level grippers system and clear power cable
CERTIFICATION	c-CSA-us
WARRANTY	5 year warranty on LED fixtures

OLLO 4454B

PROJECT PROJET
SPEC TYPE
NOTES



FINISH FINI



BLK

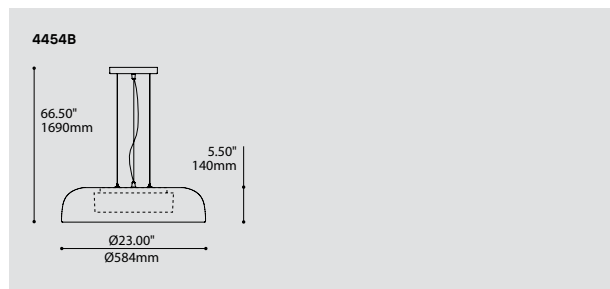
WH

FAMILY FAMILLE



4654B (CEILING SURFACE)

4654B (WALL SURFACE)



ORDERING SPECIFICATION	SPÉCIFICATION DE COMMANDE	CODE
MODEL MODÈLE		4454B
4454B	OLLO	
LIGHT SOURCE SOURCE LUMINEUSE		
LED.10	10W, LED	
COLOR TEMPERATURE TEMPÉRATURE DE COULEUR^(A)		
27*	2700K	
30	3000K	
35	3500K	
40	4000K	
* LONGER LEAD TIME MAY APPLY, PLEASE CONTACT YOUR EUREKA REPRESENTATIVE		
COLOR RENDERING INDEX (CRI) INDICE DE RENDU DE COULEUR (IRC)^(B)		
80	80+ CRI	
90*	90+ CRI	
* LONGER LEAD TIME MAY APPLY, PLEASE CONTACT YOUR EUREKA REPRESENTATIVE		
VOLTAGE VOLTAGE		
120V	120 VOLT	
277V	277 VOLT	
DIMMING OPTION OPTION DE GRADATION		
DV	0-10V DIMMING (120V-277V)	
DP	PHASE DIMMING (120V ONLY)	
LED DIMMING DRIVER IS STANDARD IN THIS PRODUCT, PLEASE SPECIFY YOUR DIMMING TYPE		
CABLE CÂBLE		AC
AC	AIRCRAFT MOUNTING & CLEAR CABLE, FIELD ADJUSTABLE	
CABLE LENGTH LONGUEUR DE CÂBLE		
60	60" AIRCRAFT CABLE (STD LENGTH)	
**	CUSTOM AIRCRAFT CABLE LENGTH (PLEASE SPECIFY) FOR OVERALL LENGTH, PLEASE CONTACT YOUR EUREKA REPRESENTATIVE	
CANOPY FINISH FINI PAVILLON		
BLK	BLACK	
WH	WHITE	
STRUCTURE FINISH FINI STRUCTURE		
BLK	BLACK	
WH	WHITE	
DIFFUSER FINISH FINI DIFFUSEUR		WH
WH	WHITE	

PRODUCT CHARACTERISTICS CARACTÉRISTIQUES DU PRODUIT

BIM **DIM** **IES** **LED**

DESIGN: Fully enclosed direct illumination pendant with retro-modern styling.
INSTALLATION: Easy to install, adjust and level triple aircraft cable mounting.
LIGHT SOURCE: Dimmable LED
STRUCTURE: Die-formed steel canopy and fittings with a black or white polyester powder coating finish.
DIFFUSER: Hand blown translucent white triplex glass.
CERTIFIED: c-CSA-us, c-UL-us

CONCEPTION: Suspension rétro-contemporaine complètement fermée avec un éclairage direct.
INSTALLATION: Facile à installer, ajuster et à équilibrer sur câble d'acier triple.
SOURCE LUMINEUSE: DEL
STRUCTURE: Pavillon et pièces d'acier embouti avec peinture électrostatique à base de polyester.
DIFFUSEUR: Verre triplex blanc translucide soufflé à la main.
CERTIFIÉ: c-CSA-us, c-UL-us

OLLO 4654B

PROJECT PROJET
SPEC TYPE
NOTES



FINISH FINI



BLK

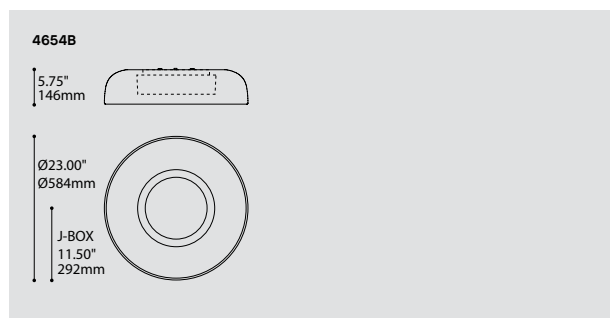
WH

FAMILY FAMILLE



4454B

4654B (WALL SURFACE)



ORDERING SPECIFICATION	SPÉCIFICATION DE COMMANDE	CODE
MODEL MODÈLE		4654B
4654B	OLLO	
LIGHT SOURCE SOURCE LUMINEUSE		LED.10
LED.10	10W, LED	
COLOR TEMPERATURE TEMPÉRATURE DE COULEUR^(A)		
27*	2700K	
30	3000K	
35	3500K	
40	4000K	
* LONGER LEAD TIME MAY APPLY, PLEASE CONTACT YOUR EUREKA REPRESENTATIVE		
COLOR RENDERING INDEX (CRI) INDICE DE RENDU DE COULEUR (IRC)^(B)		
80	80+ CRI	
90*	90+ CRI	
* LONGER LEAD TIME MAY APPLY, PLEASE CONTACT YOUR EUREKA REPRESENTATIVE		
VOLTAGE VOLTAGE		
120V	120 VOLT	
277V	277 VOLT	
DIMMING OPTION OPTION DE GRADATION		
DV	0-10V DIMMING (120V-277V)	
DP	PHASE DIMMING (120V ONLY)	
LED DIMMING DRIVER IS STANDARD IN THIS PRODUCT, PLEASE SPECIFY YOUR DIMMING TYPE		
STRUCTURE FINISH FINI STRUCTURE		
BLK	BLACK	
WH	WHITE	
CANOPY FINISH FINI PAVILLON		
WH*	WHITE	
* IF NO FINISH IS SELECTED, CANOPY FINISH WILL BE THE SAME AS STRUCTURE FINISH		
DIFFUSER FINISH FINI DIFFUSEUR		WH
WH	WHITE	

PRODUCT CHARACTERISTICS CARACTÉRISTIQUES DU PRODUIT



DESIGN:	Fully enclosed direct illumination wall mounted fixture with retro-modern styling.
LIGHT SOURCE:	Dimming LED light sources available.
STRUCTURE:	Die-spun aluminium shade with a black or white powder coat finish.
DIFFUSER:	Hand blown translucent white triplex glass.
CERTIFIED:	c-CSA-us, c-UL-us
CONCEPTION:	Applique rétro-contemporaine complètement fermée avec un éclairage direct.
SOURCE LUMINEUSE:	Sources lumineuses offertes: DEL à intensité variable.
STRUCTURE:	Aluminium repoussé avec peinture électrostatique blanche ou noire.
DIFFUSEUR:	Verre triplex blanc translucide soufflé à la main.
CERTIFIÉ:	c-CSA-us, c-UL-us

Photometric Report

4454B-LED.10.40-BLK

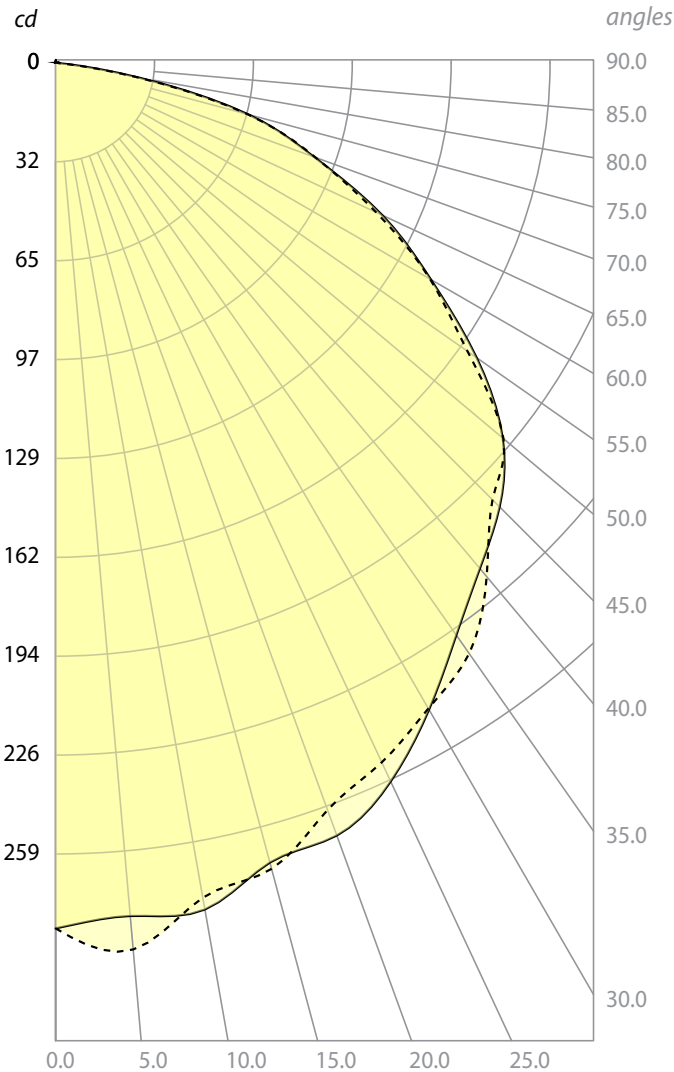
CCT (K):	4000
Initial lumens (lm):	1364
Delivered lumens (lm):	862
Input watts (W):	11
Number of LED's:	44
Lumens per LED:	31
Distribution:	Direct
Efficiency (%):	63.2
Efficacy (lm/W):	78.4
Photometric type	C

Luminous dimensions

Luminous shape:	Circle
Units:	in (mm)
0-180 Axis:	12.58 (319.4)
90-270 Axis:	12.58 (319.4)
Height:	3.88 (1181.4)

Luminaire spacing criteria

2 luminaires, plane 0:	50.0 (1270)
2 luminaires, plane 90:	50.0 (1270)
4 luminaires:	55.5 (1410)



4454B-LED.10.40-WH

CCT (K):	4000
Initial lumens (lm):	1364
Delivered lumens (lm):	1126
Input watts (W):	11
Number of LED's:	44
Lumens per LED:	31
Distribution:	Direct
Efficiency (%):	82.6
Efficacy (lm/W):	102.4
Photometric type	C

Luminous dimensions

Luminous shape:	Circle
Units:	in (mm)
0-180 Axis:	12.58 (319.4)
90-270 Axis:	12.58 (319.4)
Height:	3.88 (1181.4)

Luminaire spacing criteria

2 luminaires, plane 0:	51.97 (1320)
2 luminaires, plane 90:	51.96 (1320)
4 luminaires:	56.69 (1440)

